

MicroProx® Tag

125 kHz Proximity

125 kHz Proximity Tag with Adhesive Back • 1391



ACCESS reliability.

Application

The MicroProx® Tag provides the convenience of HID's proximity technology in a small disk-shaped transponder. Simply attach the adhesive-backed Tag to any nonmetallic card or device, and you instantly have a proximity card!

With the MicroProx Tag you can:

- ▶ Seamlessly upgrade from Wiegand, magnetic stripe or barium ferrite technologies by simply adhering the Tag to your existing access card.
- ▶ Easily and cost-effectively turn a plastic ID badge or contact smart chip card into a proximity credential!
- ▶ Add proximity access control capability to users' cell phones, PDAs and other similar nonmetallic devices.

Experience the convenience of proximity without the expense of rebadging!

Features

- ▶ Offers consistent read range and reliable operation.
- ▶ The size of a coin, the Tag easily attaches to all nonmetallic materials.
- ▶ The Tag can be programmed in any HID proximity format, and is compatible with all HID proximity readers.
- ▶ The Tag is RF-programmable for ease of encoding with HID's ProxProgrammer®.

Features

- Description** RF programmable, 125 kHz, customer specified numbers.
- Proven, Reliable Technology** Offers extremely consistent read range. Unaffected by body shielding or variable environmental conditions, even when close to keys and coins.
- Security** Over 1.9x1025 unique codes available.
- Long Life** Passive, no-battery design allows for an infinite number of reads.
- Warranty** Warranted against defects in materials and workmanship for two years from date of shipment. (See warranty policy for details.)



Sample placement shown - actual placement will depend on application. Due to variations in cards and reading devices, HID does not claim that the MicroProx® Tag will work in every situation. Functional and non-functional MicroProx Tags are available for compatibility testing with existing credential and reader technologies. Compatibility should be confirmed prior to ordering.

Specifications

Typical Maximum* Read Range

ProxPoint® Plus reader up to 2.0" (5.1 cm)
MiniProx® reader up to 2.25" (5.7 cm)
ThinLine® II reader up to 2.5" (6.4 cm)
Prox80™ reader up to 2.25" (5.7 cm)
ProxPro® II reader up to 3.5" (8.9 cm)
ProxPro® reader up to 4" (10.2 cm)
MaxiProx® reader up to 4.5" (11.4 cm)
*Depending on local installation conditions.

Data Storage

Up to 84 bits (Over 1.9x1025 codes)

Dimensions

Diameter: 1.285" (3.264 cm)
Thickness: 0.070" (0.178 cm)

Outer Shell Material

Lexan

Operating Temperature

-50° to 160° F (-45° to 70° C)

Weight

0.04 oz (1.18 g)

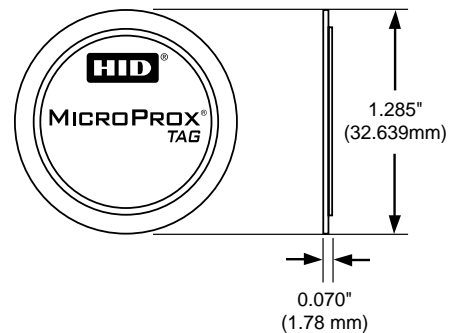
Part Number

Base Part No.: 1391


Options

Color - black or gray

(Please see "How to Order Guide" for a description of the options and associated part numbers.)



© 2007 HID Global. All rights reserved. HID, and the HID logo are trademarks or registered trademarks of HID Global in the U.S. and/or other countries. All other trademarks, service marks, and product or service names are trademarks or registered trademarks of their respective owners. Rev. 4/2007

 For best results, please print on recycled paper.

MKT-MICROPROX_DS_EN



IDWholesaler
photo identification **for less**
www.IDWholesaler.com
(800) 321-4405
SHOP NOW ▶

internet **retailer**
TOP 500
e-Retailer